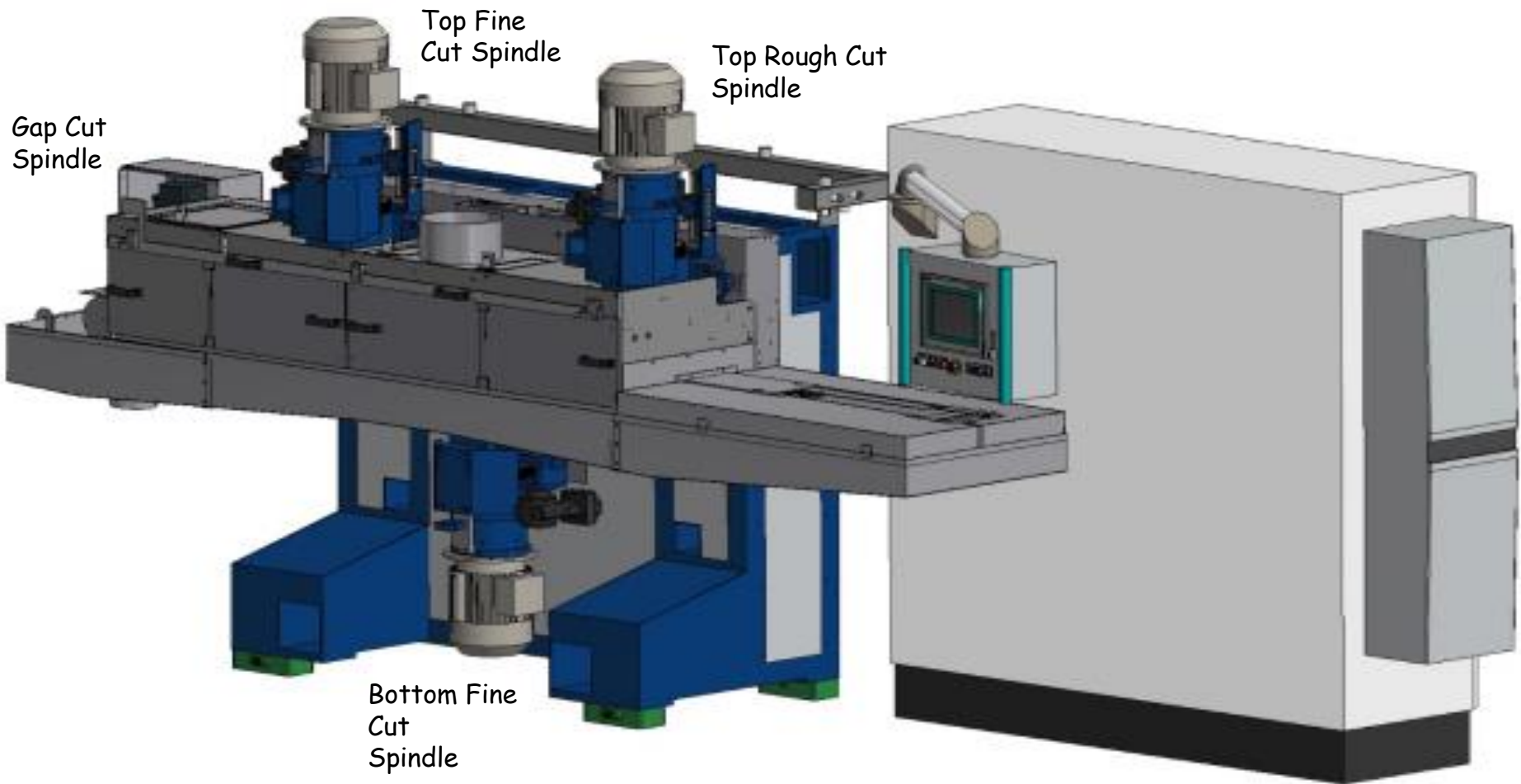




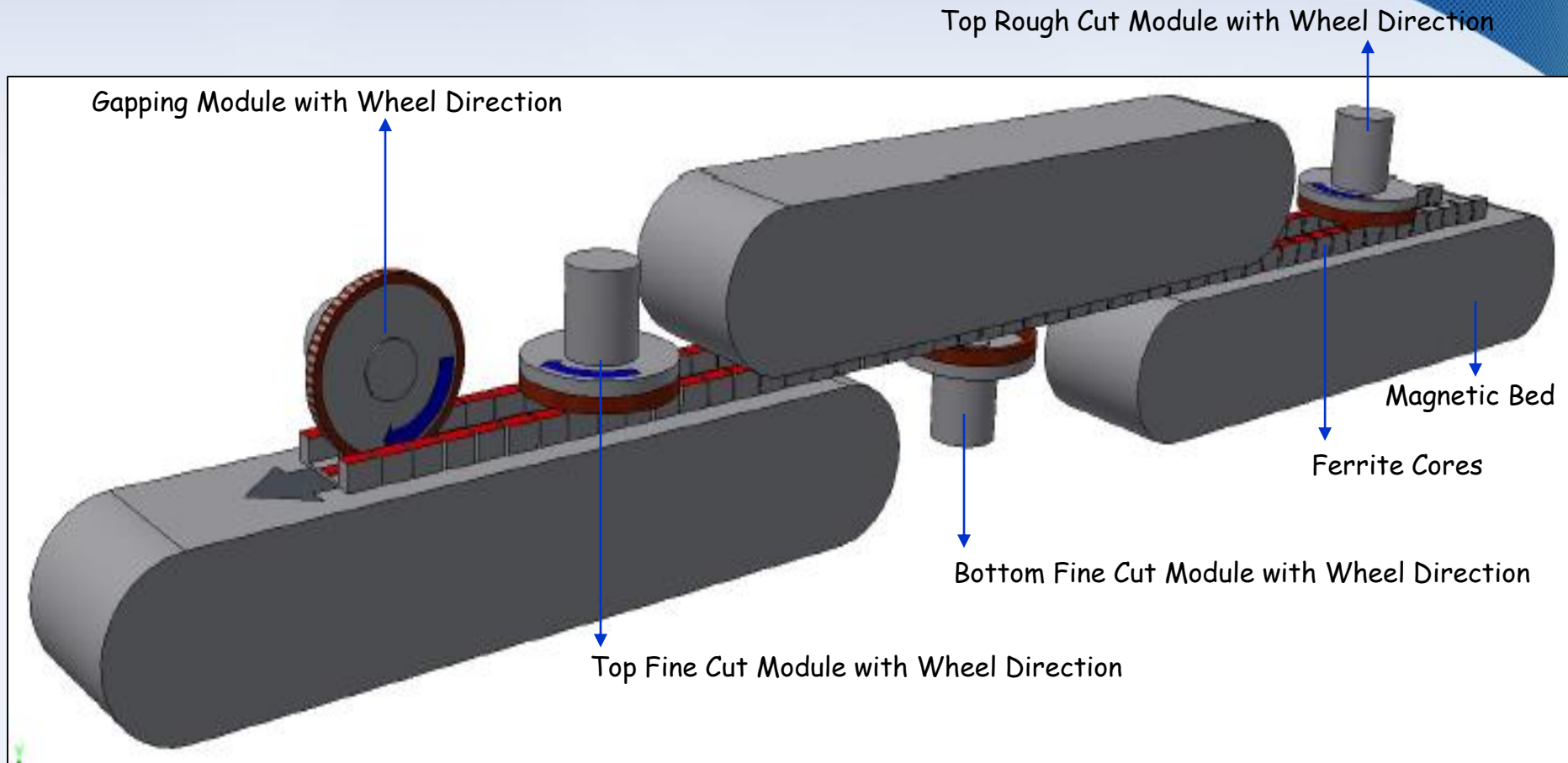
Speedofer Engineering Infrastructure - Auto Surface Grinding Equipment



0.01mm Accuracy



Speedofer Engineering Infrastructure - Ferrite Grinding Module Operation



0.01mm Accuracy